

深圳市丰辉旺科技有限公司

联系方式；18503051681 李生
地址；深圳市宝安区石岩镇松白路中港星科技园八栋701网
址；www.jh-dzcl.com



FEATURES/APPLICATOINS

- .Carrier tape packing use for SMT
- .High rated current & Low DCR,Quadrate;Width:6.3mm~10.6mm,Height:3.0mm~5.0mm.
- .Magnetically shielded construction
- .Suitable for reflow SMT craft soldering
- .Lead free products, RoHS compliant
- .W idely use in Digital products & Scanner/DC-DC converter/Power supply for VTP/LCD monitor/portable terminal equipment/Telecommunications/Notebook and PC Peripheral equipments etc

PRODUCT INDICATION

FHWRR **103** – **220** **M**
① ② ③ ④

- ① Product type: JCDRR type
- ② External dimension: Quadrate, 10 for Width 10.0mm
3 for Height 3.0mm
- ③ Electrical code: 220 for 22 μ H
- ④ Tolerance: K for $\pm 10\%$; M for $\pm 20\%$

Page

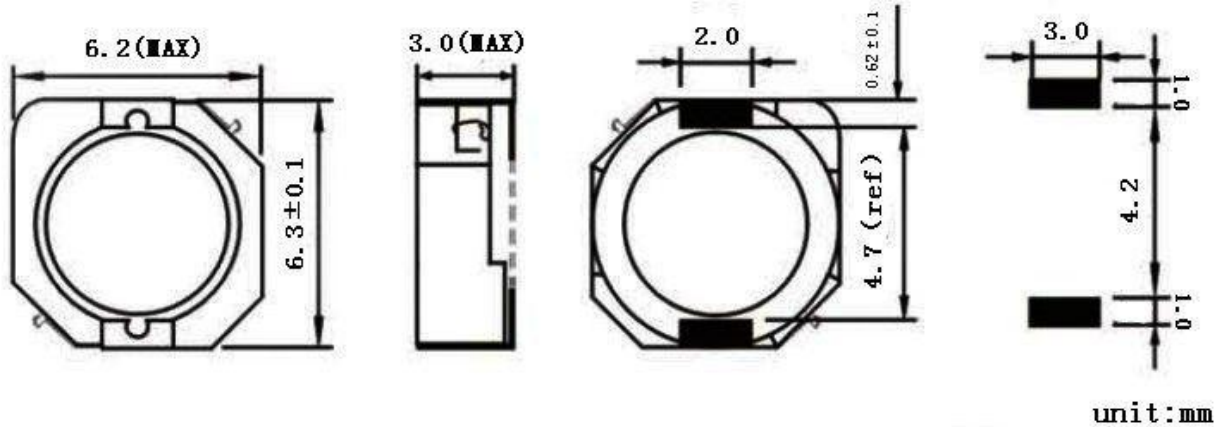
FHWRR63
FHWRR103
FHWRR104
FHWRR105

Notes:

- Inductance instrument: HP4286A/CH1062A or LCR Meter equivalent.
- Inductance testing condition: 100KHz/1KHz.
- DCR instrument: TH2512B or DCR test equipment equivalent .
- Rated Current test: VR7210&VR113H.
- Rated Current definition: Inductance drop by 25% or temperature rise by 40 $^{\circ}$ C , the lesser of the minimum as the rated current.
- Temperature storage range: -25 $^{\circ}$ C~80 $^{\circ}$ C; the relative humidity: RH65%~85%.

FHWRR63

SHAPE AND DIMENSIONS



Electrical Characteristics JCDRR63 Series

Part NO	Test Condition	Inductance(μH)	Tolerance(%)	DC Resistance(Ω)Max	Rated Current(A)Max
FHWRR63-2R7M	100KHz/0.1V	2.7	±20	0.018	2.60
FHWRR63-3R3M	100KHz/0.1V	3.3	±20	0.020	2.30
FHWRR63-5R0M	100KHz/0.1V	5	±20	0.031	1.85
FHWRR63-8R0M	100KHz/0.1V	8	±20	0.050	1.50
FHWRR63-100M	100KHz/0.1V	10	±20	0.054	1.30
FHWRR63-120M	100KHz/0.1V	12	±20	0.072	1.20
FHWRR63-150M	100KHz/0.1V	15	±20	0.082	1.10
FHWRR63-180M	100KHz/0.1V	18	±20	0.102	1.05
FHWRR63-220M	100KHz/0.1V	22	±20	0.119	0.95
FHWRR63-270M	100KHz/0.1V	27	±20	0.146	0.85
FHWRR63-330M	100KHz/0.1V	33	±20	0.183	0.76
FHWRR63-390M	100KHz/0.1V	39	±20	0.210	0.68

Special inquiries besides the above common used types can be meet

ELECTRONIC COMPANY

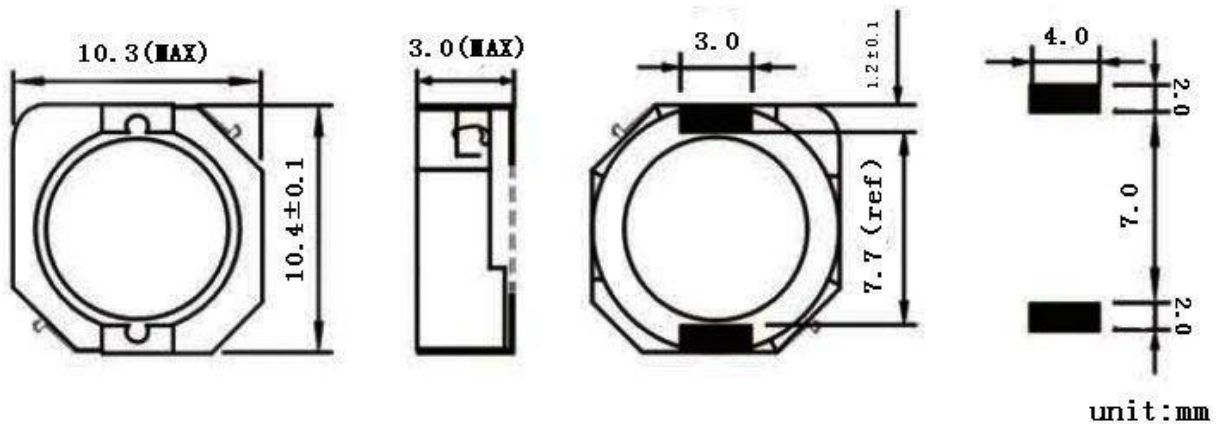
Electrical Characteristics JCDRR63 Series

Part NO	Test Condition	Inductance(μ H)	Tolerance(%)	DC Resistance(Ω)Max	Rated Current(A)Max
FHWRR63-470M	100KHz/0.1V	47	± 20	0.230	0.60
FHWRR63-560M	100KHz/0.1V	56	± 20	0.305	0.55
FHWRR63-680M	100KHz/0.1V	68	± 20	0.351	0.48
FHWRR63-820M	100KHz/0.1V	82	± 20	0.419	0.45
FHWRR63-101M	100KHz/0.1V	100	± 20	0.520	0.40

Special inquiries besides the above common used types can be meet

FHWRR103

SHAPE AND DIMENSIONS



Electrical Characteristics JCDRR103 Series

Part NO	Test Condition	Inductance(μ H)	Tolerance(%)	DC Resistance(Ω)Max	Rated Current(A)Max
FHWRR103-100M	100KHz/0.1V	10	± 20	0.058	2.70
FHWRR103-120M	100KHz/0.1V	12	± 20	0.072	2.25
FHWRR103-150M	100KHz/0.1V	15	± 20	0.086	2.22
FHWRR103-180M	100KHz/0.1V	18	± 20	0.116	1.90

Special inquiries besides the above common used types can be meet

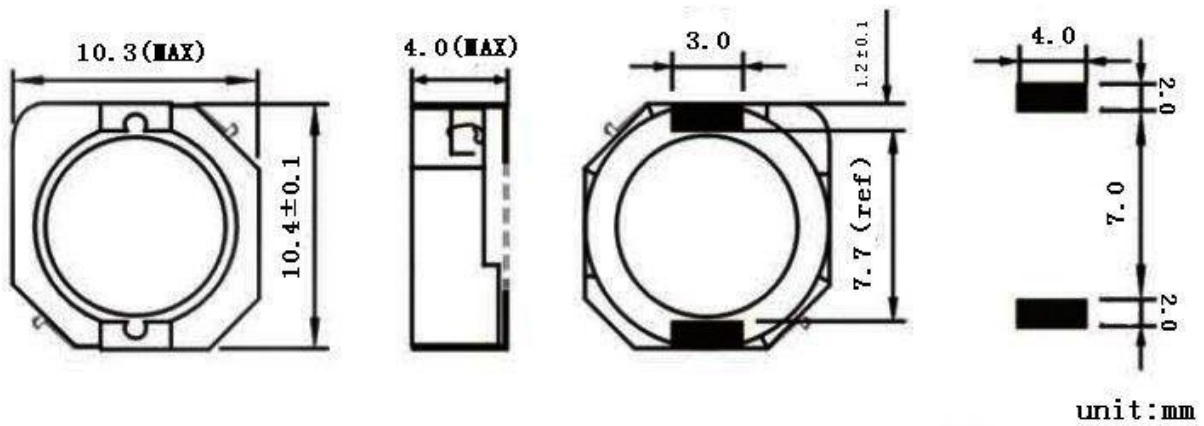
Electrical Characteristics JCDRR103 Series

Part NO	Test Condition	Inductance(μ H)	Tolerance(%)	DC Resistance(Ω)Max	Rated Current(A)Max
FHWRR103-220M	100KHz/0.1V	22	± 20	0.145	1.78
FHWRR103-270M	100KHz/0.1V	27	± 20	0.175	1.63
FHWRR103-330M	100KHz/0.1V	33	± 20	0.213	1.50
FHWRR103-390M	100KHz/0.1V	39	± 20	0.269	1.32
FHWRR103-470M	100KHz/0.1V	47	± 20	0.299	1.18
FHWRR103-560M	100KHz/0.1V	56	± 20	0.336	1.10
FHWRR103-680M	100KHz/0.1V	68	± 20	0.451	1.04
FHWRR103-820M	100KHz/0.1V	82	± 20	0.534	0.94
FHWRR103-101M	100KHz/0.1V	100	± 20	0.700	0.84
FHWRR103-121M	100KHz/0.1V	120	± 20	0.705	0.76
FHWRR103-151M	100KHz/0.1V	150	± 20	0.876	0.70

Special inquiries besides the above common used types can be meet

FHWRR104

SHAPE AND DIMENSIONS



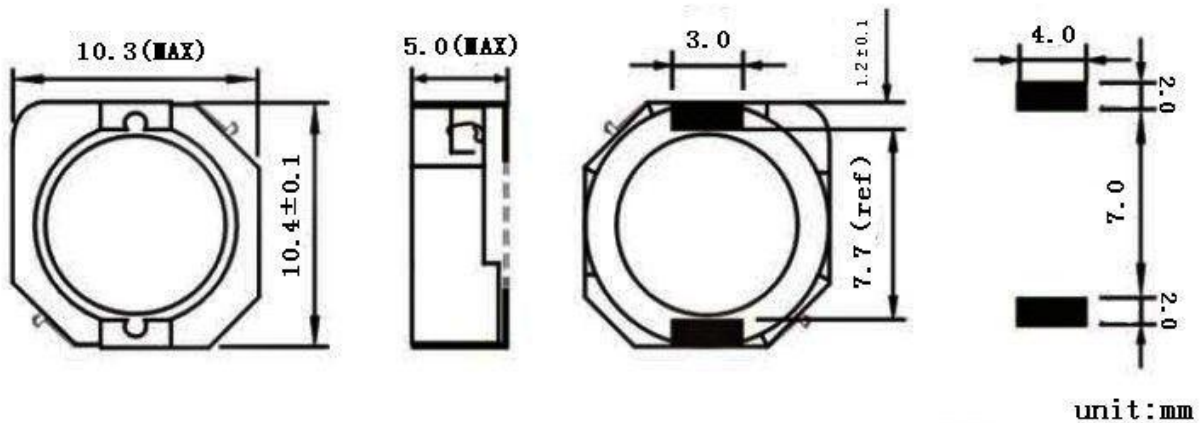
Electrical Characteristics JCRR104 Series

Part NO	Test Condition	Inductance(μ H)	Tolerance(%)	DC Resistance(Ω)Max	Rated Current(A)Max
FHWRR104-1R5M	100KHz/0.1V	1.5	± 20	0.008	10.00
FHWRR104-2R2M	100KHz/0.1V	2.2	± 20	0.010	7.50
FHWRR104-3R3M	100KHz/0.1V	3.3	± 20	0.013	6.00
FHWRR104-4R7M	100KHz/0.1V	4.7	± 20	0.022	5.50
FHWRR104-6R8M	100KHz/0.1V	6.8	± 20	0.027	4.80
FHWRR104-100M	100KHz/0.1V	10	± 20	0.035	4.40
FHWRR104-150M	100KHz/0.1V	15	± 20	0.050	3.60
FHWRR104-220M	100KHz/0.1V	22	± 20	0.073	3.0
FHWRR104-330M	100KHz/0.1V	33	± 20	0.093	2.30
FHWRR104-470M	100KHz/0.1V	47	± 20	0.128	2.10
FHWRR104-680M	100KHz/0.1V	68	± 20	0.213	1.50
FHWRR104-101M	100KHz/0.1V	100	± 20	0.304	1.35
FHWRR104-151M	100KHz/0.1V	150	± 20	0.506	1.15
FHWRR104-221M	100KHz/0.1V	220	± 20	0.756	0.92
FHWRR104-331M	100KHz/0.1V	330	± 20	1.090	0.70

Special inquiries besides the above common used types can be meet

FHWRR105

SHAPE AND DIMENSIONS

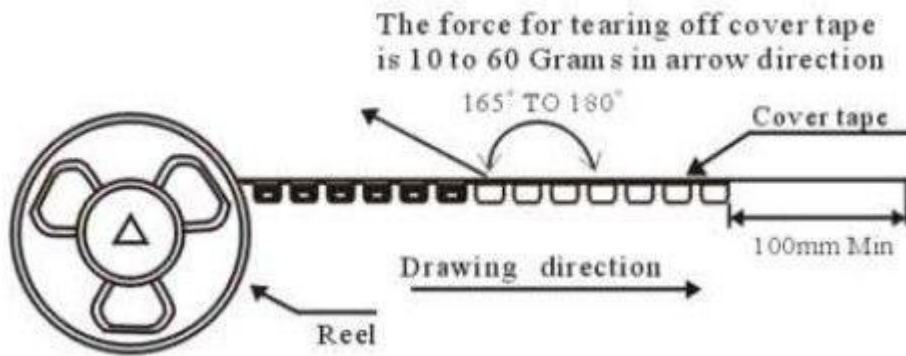


ELECTRONIC COMPANY _____

Electrical Characteristics JCRR105 Series

Part NO	Test Condition	Inductance(μ H)	Tolerance(%)	DC Resistance(Ω)Max	Rated Current(A)Max
FHWRR105-100M	100KHz/0.1V	10	± 20	0.026	4.50
FHWRR105-120M	100KHz/0.1V	12	± 20	0.032	4.00
FHWRR105-150M	100KHz/0.1V	15	± 20	0.040	3.65
FHWRR105-180M	100KHz/0.1V	18	± 20	0.046	3.20
FHWRR105-220M	100KHz/0.1V	22	± 20	0.059	2.95
FHWRR105-270M	100KHz/0.1V	27	± 20	0.065	2.70
FHWRR105-330M	100KHz/0.1V	33	± 20	0.081	2.40
FHWRR105-390M	100KHz/0.1V	39	± 20	0.103	2.30
FHWRR105-470M	100KHz/0.1V	47	± 20	0.122	2.20
FHWRR105-560M	100KHz/0.1V	56	± 20	0.145	1.90
FHWRR105-680M	100KHz/0.1V	68	± 20	0.193	1.65
FHWRR105-820M	100KHz/0.1V	82	± 20	0.219	1.50
FHWRR105-101M	100KHz/0.1V	100	± 20	0.247	1.40
FHWRR105-121M	100KHz/0.1V	120	± 20	0.298	1.28
FHWRR105-151M	100KHz/0.1V	150	± 20	0.355	1.20
FHWRR105-181M	100KHz/0.1V	180	± 20	0.393	1.04
FHWRR105-221M	100KHz/0.1V	220	± 20	0.484	1.00
FHWRR105-271M	100KHz/0.1V	270	± 20	0.633	0.84
FHWRR105-331M	100KHz/0.1V	330	± 20	0.788	0.75
FHWRR105-391M	100KHz/0.1V	390	± 20	0.958	0.70
FHWRR105-471M	100KHz/0.1V	470	± 20	1.220	0.60
FHWRR105-561M	100KHz/0.1V	560	± 20	1.352	0.54
FHWRR105-681M	100KHz/0.1V	680	± 20	1.519	0.52
FHWRR105-821M	100KHz/0.1V	820	± 20	1.694	0.50
FHWRR105-102M	100KHz/0.1V	1000	± 20	1.964	0.48

Special inquiries besides the above common used types can be meet



TYPE	QUANTITIES PCS/reel	TYPE	QUANTITIES PCS/reel
FHWRR63	2500	FHWRR104	1000
FHWRR103	1000	FHWRR105	750