

深圳市丰辉旺科技有限公司

联系电话；18503051681 李生  
地址；深圳市宝安区石岩镇松白路8栋701 网址  
；www.jh-dzcl.com



## FEATURES/APPLICATOINS

- .Carrier tape packing use for SMT
- .High rated current & Low DCR, Quadrate; Width:6.2mm~12mm, Height:3mm~8mm.
- .Magnetically shielded construction
- .Suitable for reflow SMT craft soldering
- .Lead free products, RoHS compliant
- .W idely use in Digital products & Scanner/DC-DC converter/Power supply for VTP/LCD monitor/portable terminal equipment/Telecommunications/Notebook and PC Peripheral equipments etc

## PRODUCT INDICATION

FHWR      127      –      220      M  
①                      ②                                      ③                                      ④

① Product type: FHWRtype

② External dimension: Quadrate, 12 for Width 12.0mm  
7 for Height 7.0mm

③ Electrical code: 220 for 22 $\mu$ H

④ Tolerance: K for  $\pm 10\%$ ; M for  $\pm 20\%$

### Page

FHW62R.....	3
FHW64R.....	4
FHW73R.....	6
FHW74R.....	7
FHW124R.....	9
FHW125R.....	10
FHW127R.....	12
FHW129R.....	13

•

Inductance instrument: HP4286A/CH1062A or LCR Meter equivalent.

•

Inductance testing condition: 100KHz/1KHz.

•

DCR instrument: TH2512B or DCR test equipment equivalent .

•

Rated Current test: VR7210&VR113H.

•

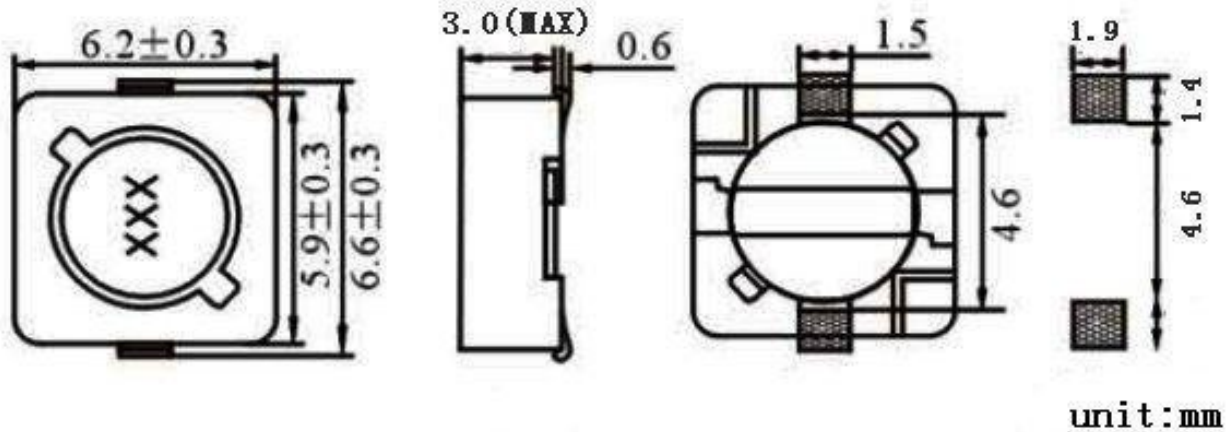
Rated Current definition: Inductance drop by 25% or temperature rise by 40 $^{\circ}$ C ,  
the lesser of the minimum as the rated current.

•

Temperature storage range: -25 $^{\circ}$ C~80 $^{\circ}$ C; the relative humidity: RH65%~85%.

# FHW62R

## SHAPE AND DIMENSIONS



## Electrical Characteristics JCDRH62 Series

Part NO	Test Condition	Inductance(μH)	Tolerance(%)	DC Resistance(Ω)Max	Rated Current(A)Max
FHW62R-3R3N	100KHz/0.1V	3.3	±30	0.07	1.94
FHW62R-3R9N	100KHz/0.1V	3.9	±30	0.08	1.63
FHW62R-5R6N	100KHz/0.1V	5.6	±30	0.10	1.4
FHW62R-100M	100KHz/0.1V	10	±20	0.15	1.1
FHW62R-120M	100KHz/0.1V	12	±20	0.20	1
FHW62R-150M	100KHz/0.1V	15	±20	0.23	0.9
FHW62R-180M	100KHz/0.1V	18	±20	0.27	0.8
FHW62R-220M	100KHz/0.1V	22	±20	0.34	0.74
FHW62R-270M	100KHz/0.1V	27	±20	0.38	0.66
FHW62R-330M	100KHz/0.1V	33	±20	0.45	0.59
FHW62R-390M	100KHz/0.1V	39	±20	0.49	0.54
FHW62R-470M	100KHz/0.1V	47	±20	0.69	0.5

Special inquiries besides the above common used types can be meet

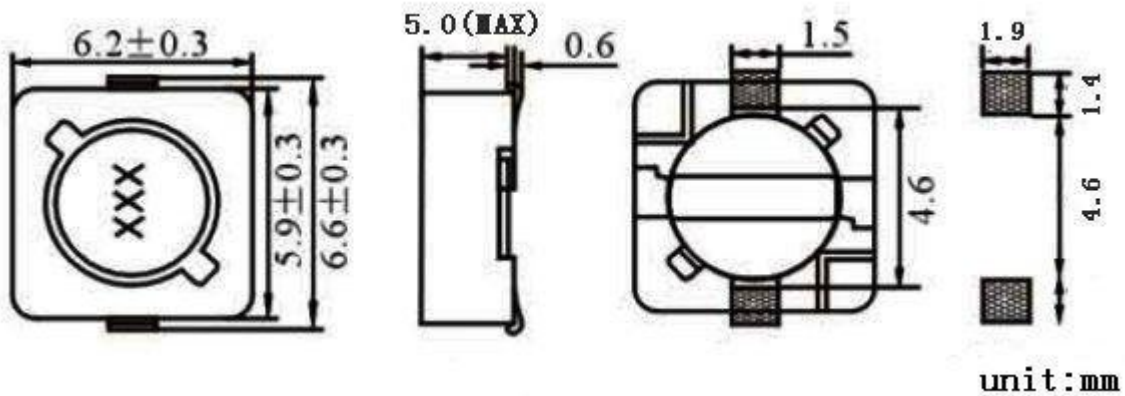
**Electrical Characteristics JCDRH62 Series**

Part NO	Test Condition	Inductance( $\mu$ H)	Tolerance(%)	DC Resistance( $\Omega$ )Max	Rated Current(A)Max
FHW62R-560M	100KHz/0.1V	56	$\pm 20$	0.78	0.46
FHW62R-680M	100KHz/0.1V	68	$\pm 20$	1.07	0.42
FHW62R-820M	100KHz/0.1V	82	$\pm 20$	1.21	0.38
FHW62R-101M	100KHz/0.1V	100	$\pm 20$	1.39	0.34
FHW62R-121M	100KHz/0.1V	120	$\pm 20$	1.90	0.31
FHW62R-151M	100KHz/0.1V	150	$\pm 20$	2.18	0.28
FHW62R-181M	100KHz/0.1V	180	$\pm 20$	2.77	0.26
FHW62R-221M	100KHz/0.1V	220	$\pm 20$	3.12	0.23
FHW62R-271M	100KHz/0.1V	270	$\pm 20$	4.38	0.22
FHW62R-331M	100KHz/0.1V	330	$\pm 20$	4.94	0.19

Special inquiries besides the above common used types can be meet

**FHW64R**

**SHAPE AND DIMENSIONS**



# ELECTRONIC COMPANY

---

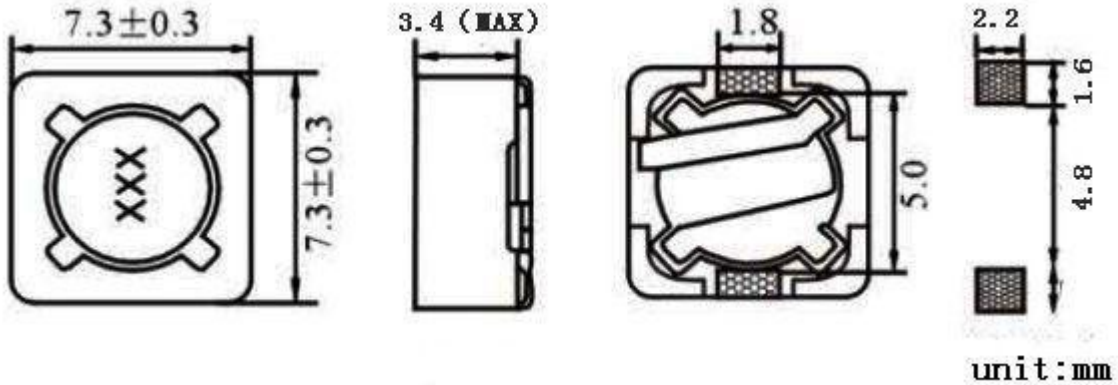
## Electrical Characteristics JCDRH64 Series

Part NO	Test Condition	Inductance( $\mu$ H)	Tolerance(%)	DC Resistance( $\Omega$ )Max	Rated Current(A)Max
FHW64R-100M	100KHz/0.1V	10	$\pm 20$	0.12	1.35
FHW64R-120M	100KHz/0.1V	12	$\pm 20$	0.13	1.22
FHW64R-150M	100KHz/0.1V	15	$\pm 20$	0.18	1.11
FHW64R-180M	100KHz/0.1V	18	$\pm 20$	0.24	1.02
FHW64R-220M	100KHz/0.1V	22	$\pm 20$	0.27	0.91
FHW64R-270M	100KHz/0.1V	27	$\pm 20$	0.30	0.82
FHW64R-330M	100KHz/0.1V	33	$\pm 20$	0.33	0.74
FHW64R-390M	100KHz/0.1V	39	$\pm 20$	0.37	0.69
FHW64R-470M	100KHz/0.1V	47	$\pm 20$	0.52	0.62
FHW64R-560M	100KHz/0.1V	56	$\pm 20$	0.56	0.58
FHW64R-680M	100KHz/0.1V	68	$\pm 20$	0.63	0.51
FHW64R-820M	100KHz/0.1V	82	$\pm 20$	0.71	0.46
FHW64R-101M	100KHz/0.1V	100	$\pm 20$	1.03	0.42
FHW64R-121M	100KHz/0.1V	120	$\pm 20$	1.15	0.38
FHW64R-151M	100KHz/0.1V	150	$\pm 20$	1.68	0.35
FHW64R-181M	100KHz/0.1V	180	$\pm 20$	1.87	0.32
FHW64R-221M	100KHz/0.1V	220	$\pm 20$	2.08	0.29
FHW64R-271M	100KHz/0.1V	270	$\pm 20$	2.37	0.26
FHW64R-331M	100KHz/0.1V	330	$\pm 20$	2.67	0.23
FHW64R-391M	100KHz/0.1V	390	$\pm 20$	2.94	0.22
FHW64R-471M	100KHz/0.1V	470	$\pm 20$	3.39	0.2
FHW64R-561M	100KHz/0.1V	560	$\pm 20$	5.43	0.18
FHW64R-681M	100KHz/0.1V	680	$\pm 20$	7.32	0.17
FHW64R-821M	100KHz/0.1V	820	$\pm 20$	8.24	0.15
FHW64R-102M	100KHz/0.1V	1000	$\pm 20$	9.26	0.14

Special inquiries besides the above common used types can be meet

# FHW73R

## SHAPE AND DIMENSIONS



## Electrical Characteristics JCDRH73 Series

Part NO	Test Condition	Inductance(μH)	Tolerance(%)	DC Resistance(Ω)Max	Rated Current(A)Max
FHW73-100M	100KHz/0.1V	10	±20	0.072	1.68
FHW73R-120M	100KHz/0.1V	12	±20	0.098	1.52
FHW73R-150M	100KHz/0.1V	15	±20	0.13	1.33
FHW73R-180M	100KHz/0.1V	18	±20	0.14	1.2
FHW73R-220M	100KHz/0.1V	22	±20	0.19	1.07
FHW73R-270M	100KHz/0.1V	27	±20	0.21	0.96
FHW73R-330M	100KHz/0.1V	33	±20	0.24	0.91
FHW73R-390M	100KHz/0.1V	39	±20	0.32	0.77
FHW73R-470M	100KHz/0.1V	47	±20	0.36	0.76
FHW73R-560M	100KHz/0.1V	56	±20	0.47	0.68
FHW73R-680M	100KHz/0.1V	68	±20	0.52	0.61
FHW73R-820M	100KHz/0.1V	82	±20	0.69	0.57
FHW73R-101M	100KHz/0.1V	100	±20	0.79	0.5
FHW73R-121M	100KHz/0.1V	120	±20	0.89	0.49
FHW73R-151M	100KHz/0.1V	150	±20	1.27	0.43
FHW73R-181M	100KHz/0.1V	180	±20	1.45	0.38

Special inquiries besides the above common used types can be meet

## ELECTRONIC COMPANY

---

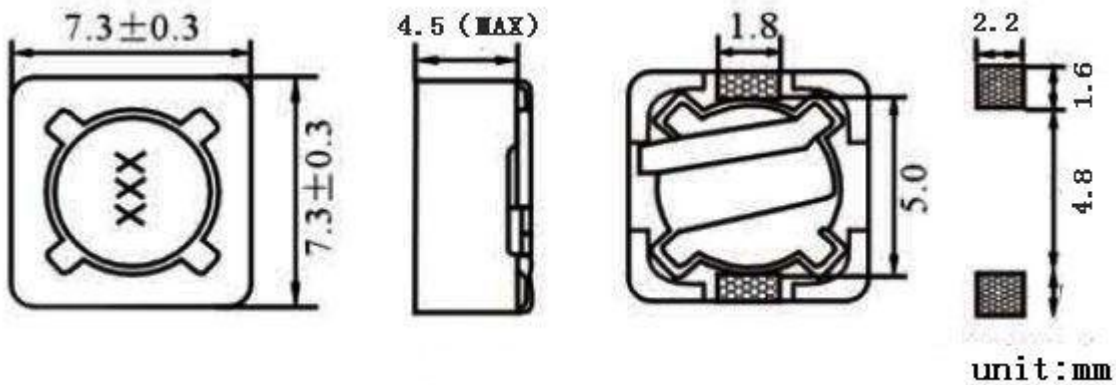
### Electrical Characteristics JCDRH73 Series

Part NO	Test Condition	Inductance( $\mu$ H)	Tolerance(%)	DC Resistance( $\Omega$ )Max	Rated Current(A)Max
FHW73R-221M	100KHz/0.1V	220	$\pm 20$	1.65	0.35
FHW73R-271M	100KHz/0.1V	270	$\pm 20$	2.31	0.32
FHW73R-331M	100KHz/0.1V	330	$\pm 20$	2.62	0.28
FHW73R-391M	100KHz/0.1V	390	$\pm 20$	2.94	0.26
FHW73R-471M	100KHz/0.1V	470	$\pm 20$	4.18	0.24
FHW73R-561M	100KHz/0.1V	560	$\pm 20$	4.67	0.22
FHW73R-681M	100KHz/0.1V	680	$\pm 20$	5.73	0.19
FHW73R-821M	100KHz/0.1V	820	$\pm 20$	6.54	0.18
FHW73R-102M	100KHz/0.1V	1000	$\pm 20$	9.44	0.16

Special inquiries besides the above common used types can be meet

## FHW74R

### SHAPE AND DIMENSIONS



### Electrical Characteristics JCDRH74 Series

Part NO	Test Condition	Inductance( $\mu$ H)	Tolerance(%)	DC Resistance( $\Omega$ )Max	Rated Current(A)Max
FHW74R-100M	100KHz/0.1V	10	$\pm 20$	0.05	1.84
FHW74R-120M	100KHz/0.1V	12	$\pm 20$	0.06	1.71

Special inquiries besides the above common used types can be meet

**Electrical Characteristics JCDRH74 Series**

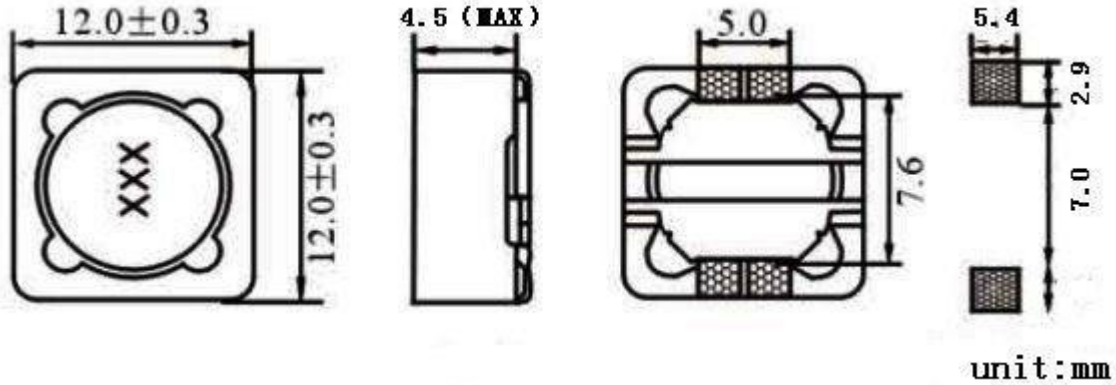
Part NO	Test Condition	Inductance( $\mu$ H)	Tolerance(%)	DC Resistance( $\Omega$ )Max	Rated Current(A)Max
FHW74R-150M	100KHz/0.1V	15	$\pm 20$	0.08	1.47
FHW74R-180M	100KHz/0.1V	18	$\pm 20$	0.09	1.31
FHW74R-220M	100KHz/0.1V	22	$\pm 20$	0.11	1.23
FHW74R-270M	100KHz/0.1V	27	$\pm 20$	0.15	1.12
FHW74R-330M	100KHz/0.1V	33	$\pm 20$	0.17	0.96
FHW74R-390M	100KHz/0.1V	39	$\pm 20$	0.23	0.91
FHW74R-470M	100KHz/0.1V	47	$\pm 20$	0.26	0.88
FHW74R-560M	100KHz/0.1V	56	$\pm 20$	0.35	0.75
FHW74R-680M	100KHz/0.1V	68	$\pm 20$	0.38	0.69
FHW74R-820M	100KHz/0.1V	82	$\pm 20$	0.43	0.61
FHW74R-101M	100KHz/0.1V	100	$\pm 20$	0.61	0.6
FHW74R-121M	100KHz/0.1V	120	$\pm 20$	0.66	0.52
FHW74R-151M	100KHz/0.1V	150	$\pm 20$	0.88	0.46
FHW74R-181M	100KHz/0.1V	180	$\pm 20$	0.98	0.42
FHW74R-221M	100KHz/0.1V	220	$\pm 20$	1.17	0.36
FHW74R-271M	100KHz/0.1V	270	$\pm 20$	1.64	0.34
FHW74R-331M	100KHz/0.1V	330	$\pm 20$	1.86	0.32
FHW74R-391M	100KHz/0.1V	390	$\pm 20$	2.85	0.29
FHW74R-471M	100KHz/0.1V	470	$\pm 20$	3.01	0.26
FHW74R-561M	100KHz/0.1V	560	$\pm 20$	3.62	0.23
FHW74R-681M	100KHz/0.1V	680	$\pm 20$	1.63	0.22
FHW74R-821M	100KHz/0.1V	820	$\pm 20$	5.20	0.2
FHW74R-102M	100KHz/0.1V	1000	$\pm 20$	6.00	0.18

Special inquiries besides the above common used types can be meet



# FHW124R

## SHAPE AND DIMENSIONS



## Electrical Characteristics JCDRH124 Series

Part NO	Test Condition	Inductance(μH)	Tolerance(%)	DC Resistance(Ω)Max	Rated Current(A)Max
FHW124R-3R9N	100KHz/0.1V	3.9	±30	0.015	6.5
FHW124R-4R7N	100KHz/0.1V	4.7	±30	0.018	5.7
FHW124R-6R8N	100KHz/0.1V	6.8	±30	0.023	4.9
FHW124R-100M	100KHz/0.1V	10	±20	0.028	4.5
FHW124R-120M	100KHz/0.1V	12	±20	0.038	4
FHW124R-150M	100KHz/0.1V	15	±20	0.050	3.2
FHW124R-180M	100KHz/0.1V	18	±20	0.057	3.1
FHW124R-220M	100KHz/0.1V	22	±20	0.066	2.9
FHW124R-270M	100KHz/0.1V	27	±20	0.080	2.8
FHW124R-330M	100KHz/0.1V	33	±20	0.097	2.7
FHW124R-390M	100KHz/0.1V	39	±20	0.132	2.1
FHW124R-470M	100KHz/0.1V	47	±20	0.150	1.9
FHW124R-560M	100KHz/0.1V	56	±20	0.190	1.8
FHW124R-680M	100KHz/0.1V	68	±20	0.220	1.5
FHW124R-820M	100KHz/0.1V	82	±20	0.260	1.3
FHW124R-101M	100KHz/0.1V	100	±20	0.308	1.2
FHW124R-121M	100KHz/0.1V	120	±20	0.380	1.1

Special inquiries besides the above common used types can be meet

## ELECTRONIC COMPANY

---

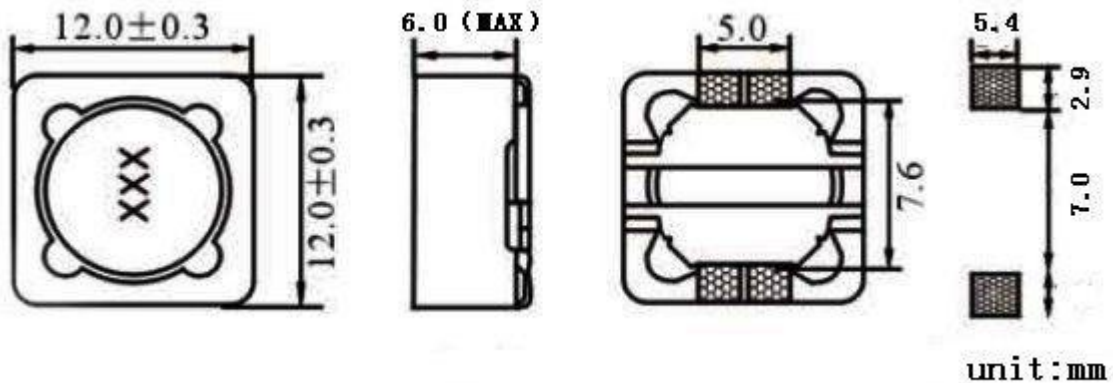
### Electrical Characteristics JCDRH124 Series

Part NO	Test Condition	Inductance( $\mu$ H)	Tolerance(%)	DC Resistance( $\Omega$ )Max	Rated Current(A)Max
FHW124R-151M	100KHz/0.1V	150	$\pm 20$	0.530	0.95
FHW124R-181M	100KHz/0.1V	180	$\pm 20$	0.620	0.85
FHW124R-221M	100KHz/0.1V	220	$\pm 20$	0.700	0.8
FHW124R-271M	100KHz/0.1V	270	$\pm 20$	0.876	0.6
FHW124R-331M	100KHz/0.1V	330	$\pm 20$	0.990	0.5

Special inquiries besides the above common used types can be meet

## FHW125R

### SHAPE AND DIMENSIONS



### Electrical Characteristics JCDRH125 Series

Part NO	Test Condition	Inductance( $\mu$ H)	Tolerance(%)	DC Resistance( $\Omega$ )Max	Rated Current(A)Max
FHW125R-1R0N	100KHz/0.1V	1.0	$\pm 30$	0.012	8
FHW125R-2R2N	100KHz/0.1V	2.2	$\pm 30$	0.014	7
FHW125R-3R3N	100KHz/0.1V	3.3	$\pm 30$	0.017	6
FHW125R-4R7N	100KHz/0.1V	4.7	$\pm 30$	0.020	5
FHW125R-5R6N	100KHz/0.1V	5.6	$\pm 30$	0.021	4.4

Special inquiries besides the above common used types can be meet

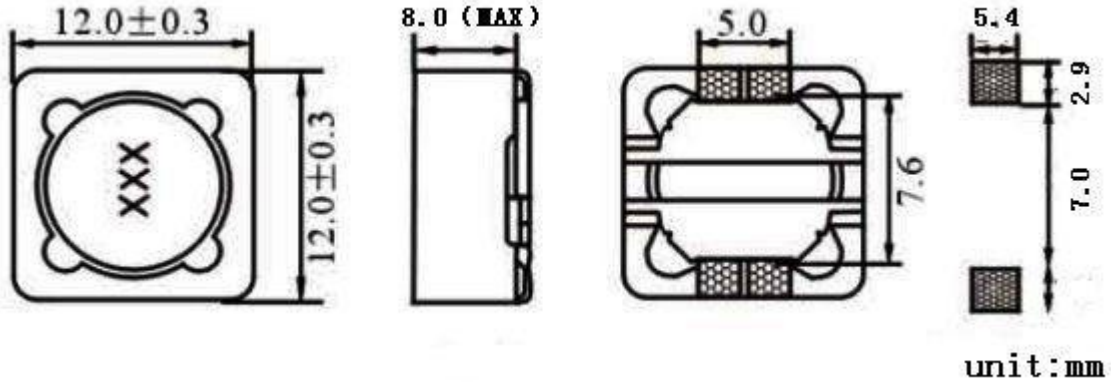
**Electrical Characteristics JCDRH125 Series**

Part NO	Test Condition	Inductance( $\mu$ H)	Tolerance(%)	DC Resistance( $\Omega$ )Max	Rated Current(A)Max
FHW125R-6R8N	100KHz/0.1V	6.8	$\pm 30$	0.024	4.2
FHW125R-100M	100KHz/0.1V	10	$\pm 20$	0.025	4
FHW125R-120M	100KHz/0.1V	12	$\pm 20$	0.027	3.5
FHW125R-150M	100KHz/0.1V	15	$\pm 20$	0.030	3.3
FHW125R-180M	100KHz/0.1V	18	$\pm 20$	0.034	3
FHW125R-220M	100KHz/0.1V	22	$\pm 20$	0.036	2.8
FHW125R-270M	100KHz/0.1V	27	$\pm 20$	0.051	2.3
FHW125R-330M	100KHz/0.1V	33	$\pm 20$	0.057	2.1
FHW125R-390M	100KHz/0.1V	39	$\pm 20$	0.068	2
FHW125R-470M	100KHz/0.1V	47	$\pm 20$	0.075	1.8
FHW125R-560M	100KHz/0.1V	56	$\pm 20$	0.110	1.7
FHW125R-680M	100KHz/0.1V	68	$\pm 20$	0.120	1.5
FHW125R-820M	100KHz/0.1V	82	$\pm 20$	0.140	1.4
FHW125R-101M	100KHz/0.1V	100	$\pm 20$	0.160	1.3
FHW125R-121M	100KHz/0.1V	120	$\pm 20$	0.170	1.1
FHW125R-151M	100KHz/0.1V	150	$\pm 20$	0.230	1
FHW125R-181M	100KHz/0.1V	180	$\pm 20$	0.290	0.9
FHW125R-221M	100KHz/0.1V	220	$\pm 20$	0.400	0.8
FHW125R-271M	100KHz/0.1V	270	$\pm 20$	0.460	0.75
FHW125R-331M	100KHz/0.1V	330	$\pm 20$	0.510	0.68
FHW125R-391M	100KHz/0.1V	390	$\pm 20$	0.690	0.65
FHW125R-471M	100KHz/0.1V	470	$\pm 20$	0.770	0.58
FHW125R-561M	100KHz/0.1V	560	$\pm 20$	0.860	0.54
FHW125R-681M	100KHz/0.1V	680	$\pm 20$	1.200	0.48
FHW125R-821M	100KHz/0.1V	820	$\pm 20$	1.340	0.43
FHW125R-102M	100KHz/0.1V	1000	$\pm 20$	1.530	0.4

Special inquiries besides the above common used types can be meet

# FHW127R

## SHAPE AND DIMENSIONS



## Electrical Characteristics JCDRH127 Series

Part NO	Test Condition	Inductance(μH)	Tolerance(%)	DC Resistance(Ω)Max	Rated Current(A)Max
FHW127R-1R0N	100KHz/0.1V	10	±30	0.007	9.8
FHW127R-2R2N	100KHz/0.1V	2.2	±30	0.012	8
FHW127-3R3N	100KHz/0.1V	3.3	±30	0.014	7.5
FHW127R-4R7N	100KHz/0.1V	4.7	±30	0.016	6.8
FHW127R-6R8N	100KHz/0.1V	6.8	±30	0.018	6.6
FHW127R-8R2N	100KHz/0.1V	8.2	±30	0.020	5.9
FHW127R-100M	100KHz/0.1V	10	±20	0.022	5.4
FHW127R-120M	100KHz/0.1V	12	±20	0.025	4.9
FHW127R-150M	100KHz/0.1V	15	±20	0.027	4.5
FHW127R-180M	100KHz/0.1V	18	±20	0.039	3.9
FHW127R-220M	100KHz/0.1V	22	±20	0.043	3.6
FHW127R-270M	100KHz/0.1V	27	±20	0.046	3.4
FHW127R-330M	100KHz/0.1V	33	±20	0.065	3
FHW127R-390M	100KHz/0.1V	39	±20	0.073	2.75
FHW127R-470M	100KHz/0.1V	47	±20	0.100	2.5
FHW127R-560M	100KHz/0.1V	56	±20	0.110	2.35
FHW127R-680M	100KHz/0.1V	68	±20	0.140	2.1

Special inquiries besides the above common used types can be meet

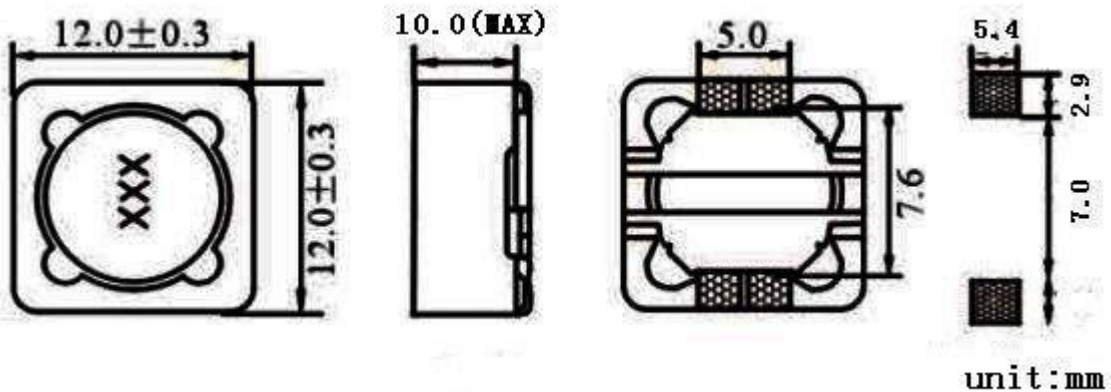
**Electrical Characteristics JCDRH127 Series**

Part NO	Test Condition	Inductance( $\mu$ H)	Tolerance(%)	DC Resistance( $\Omega$ )Max	Rated Current(A)Max
FHW127R-820M	100KHz/0.1V	82	$\pm 20$	0.160	1.95
FHW127R-101M	100KHz/0.1V	100	$\pm 20$	0.220	1.7
FHW127R-121M	100KHz/0.1V	120	$\pm 20$	0.250	1.6
FHW127R-151M	100KHz/0.1V	150	$\pm 20$	0.280	1.42
FHW127R-181M	100KHz/0.1V	180	$\pm 20$	0.350	1.3
FHW127R-221M	100KHz/0.1V	220	$\pm 20$	0.390	1.16
FHW127R-271M	100KHz/0.1V	270	$\pm 20$	0.560	1.06
FHW127R-331M	100KHz/0.1V	330	$\pm 20$	0.640	0.95
FHW127R-391M	100KHz/0.1V	390	$\pm 20$	0.700	0.88
FHW127R-471M	100KHz/0.1V	470	$\pm 20$	0.980	0.79
FHW127R-561M	100KHz/0.1V	560	$\pm 20$	1.070	0.73
FHW127R-681M	100KHz/0.1V	680	$\pm 20$	1.460	0.67
FHW127R-821M	100KHz/0.1V	820	$\pm 20$	0.640	0.6
FHW127R-102M	100KHz/0.1V	1000	$\pm 20$	1.820	0.55

Special inquiries besides the above common used types can be meet

**FHW129R**

**SHAPE AND DIMENSIONS**



## ELECTRONIC COMPANY

---

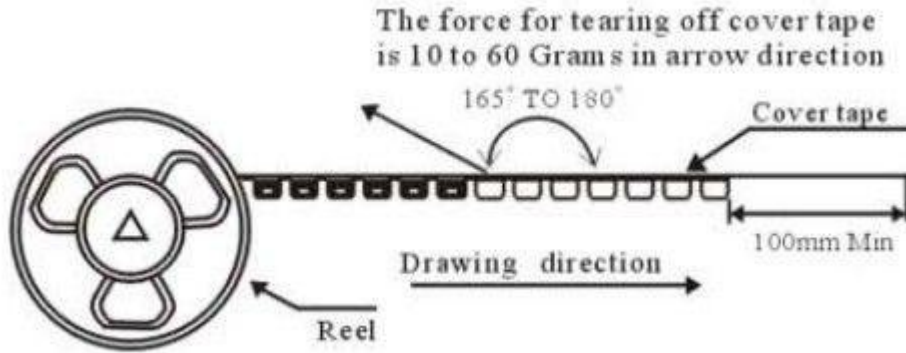
### Electrical Characteristics JCDRH129 Series

Part NO	Test Condition	Inductance( $\mu$ H)	Tolerance(%)	DC Resistance( $\Omega$ )Max	Rated Current(A)Max
FHW129R-1R0M	100KHz/0.1V	1	$\pm 20$	4.2 m	29.6
FHW129R-1R5M	100KHz/0.1V	1.5	$\pm 20$	5.5 m	23.1
FHW129R-2R2M	100KHz/0.1V	2.2	$\pm 20$	6.8 m	18.9
FHW129R-3R3M	100KHz/0.1V	3.3	$\pm 20$	8.3 m	16
FHW129R-4R7M	100KHz/0.1V	4.7	$\pm 20$	11.7 m	13.8
FHW129R-5R6M	100KHz/0.1V	5.6	$\pm 20$	13.2 m	12.2
FHW129R-6R8M	100KHz/0.1V	6.8	$\pm 20$	15.0 m	10.9
FHW129R-8R2M	100KHz/0.1V	8.2	$\pm 20$	20.8 m	9.89
FHW129R-100M	100KHz/0.1V	10	$\pm 20$	23.1 m	9.03
FHW129R-150M	100KHz/0.1V	15	$\pm 20$	33.9 m	7.69
FHW129R-220M	100KHz/0.1V	22	$\pm 20$	50.7 m	6.29
FHW129R-330M	100KHz/0.1V	33	$\pm 20$	64.6 m	5.06
FHW129R-470M	100KHz/0.1V	47	$\pm 20$	97.8 m	4.24
FHW129R-680M	100KHz/0.1V	68	$\pm 20$	0.14	3.52
FHW129R-101M	100KHz/0.1V	100	$\pm 20$	0.21	2.92
FHW129R-151M	100KHz/0.1V	150	$\pm 20$	0.32	2.39
FHW129R-221M	100KHz/0.1V	220	$\pm 20$	0.4	1.98
FHW129R-331M	100KHz/0.1V	330	$\pm 20$	0.62	1.61
FHW129R-471M	100KHz/0.1V	470	$\pm 20$	0.94	1.34
FHW129R-681M	100KHz/0.1V	680	$\pm 20$	1.4	1.11
FHW129R-102M	100KHz/0.1V	1000	$\pm 20$	2.13	0.92

Special inquiries besides the above common used types can be meet

# ELECTRONIC COMPANY

---



TYPE	QUANTITIES PCS/reel	TYPE	QUANTITIES PCS/reel
FHW62R	1500	FHW124R	500
FHW64R	1000	FHW125R	500
FHW73R	1000	FHW127R	500
FHW74R	1000	FHW129R	400